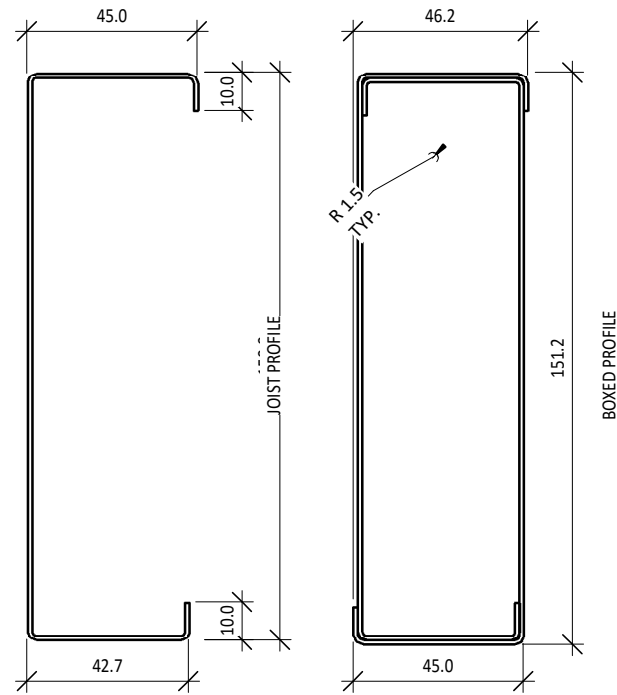
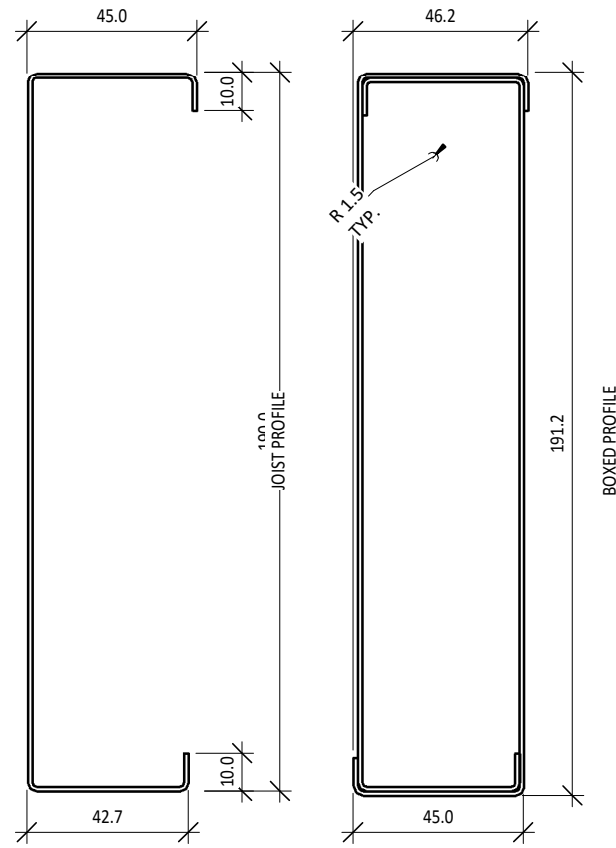


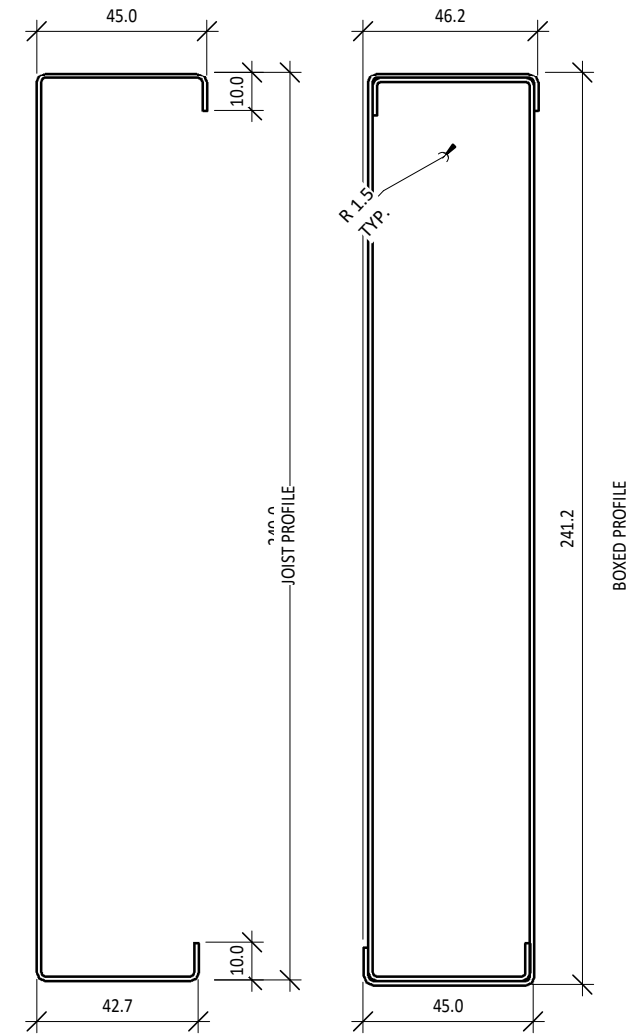
150LC1.15 BOXED



190LC1.15 BOXED



240LC1.15 BOXED



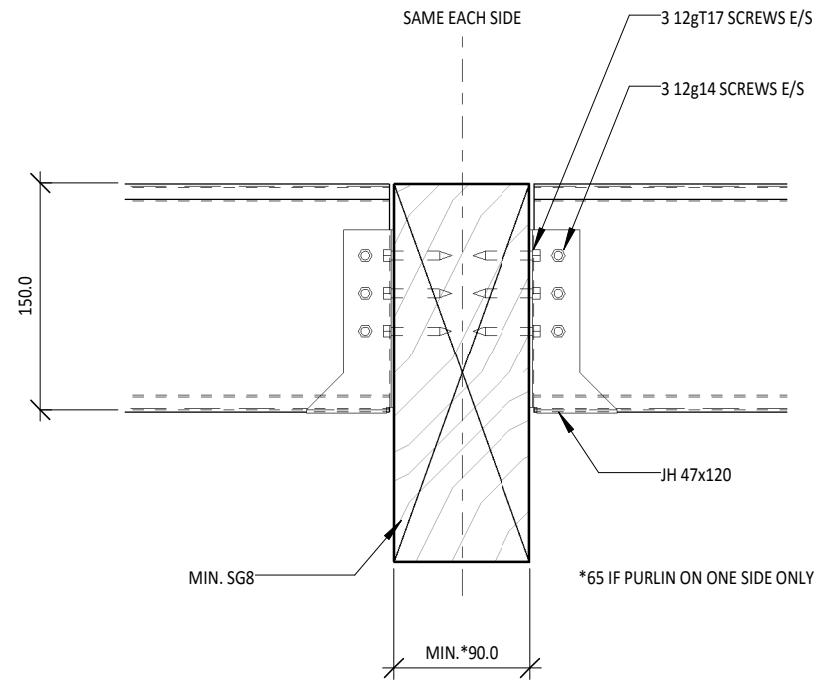
16b Ormiston Road, East Tamaki, Auckland.  
 Phone: 09 271 6834 | Fax: 09 271 6835  
 Email: sales@rollforming.co.nz  
 www.rollforming.co.nz

Client:

Project:

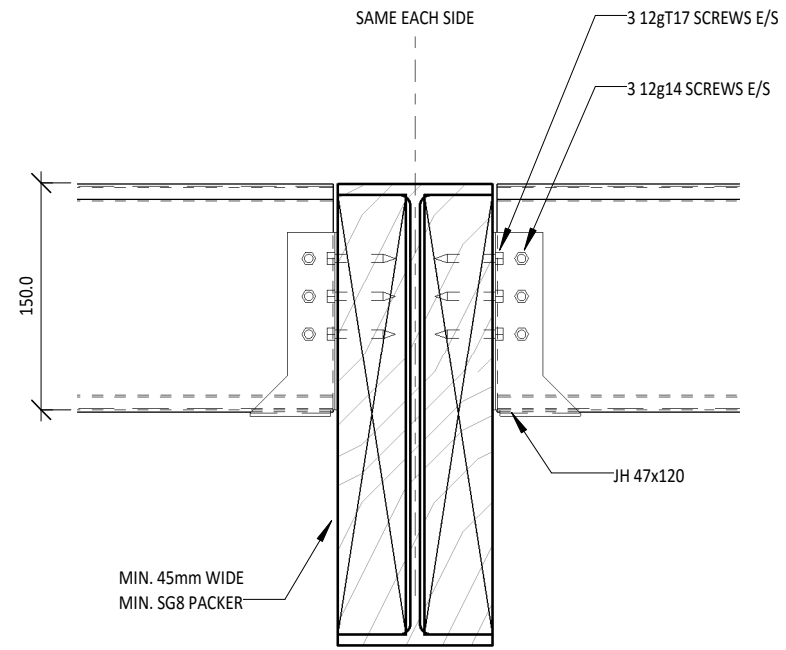
Drawing:  
**LC BOXED PROFILES**

| Ref.    | Description | Date     |
|---------|-------------|----------|
| scale:  | drawn:      | checked: |
| 1 : 2   | RH          | PM       |
| status: | job no:     | drg no:  |
| -       | 15140       | 1        |
| rev:    |             |          |



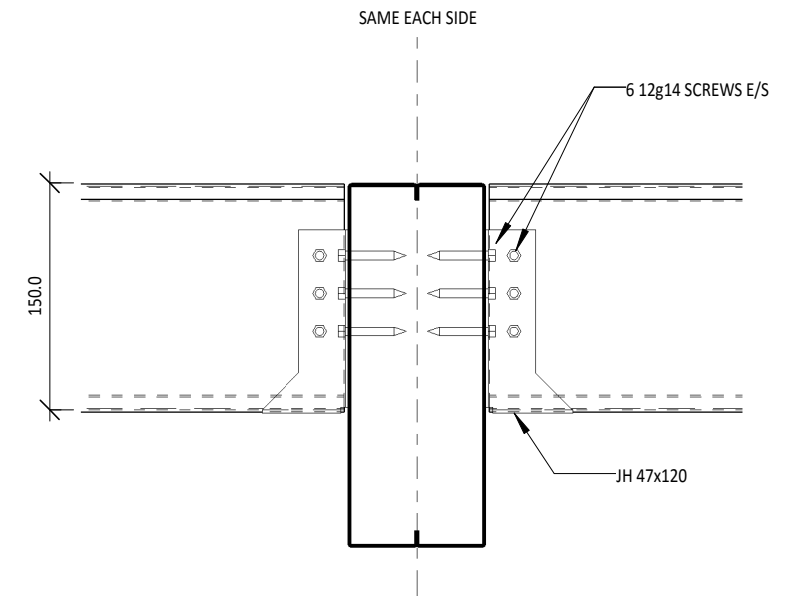
**150LC TO TIMBER BEAM CONNECTION**

1 : 5



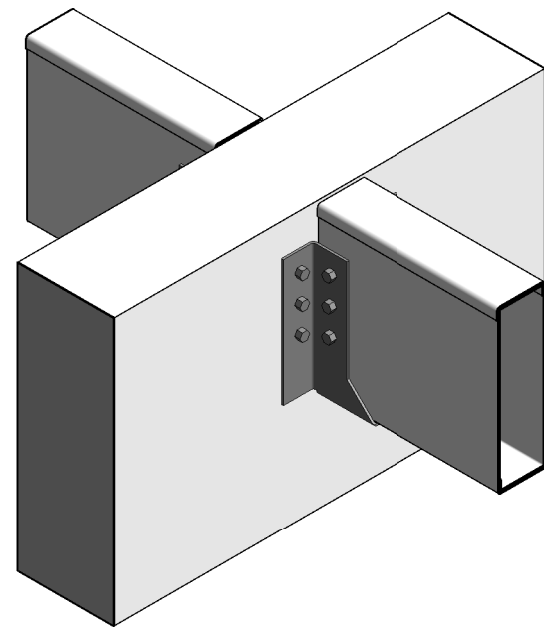
**150LC TO STEEL BEAM CONNECTION**

1 : 5

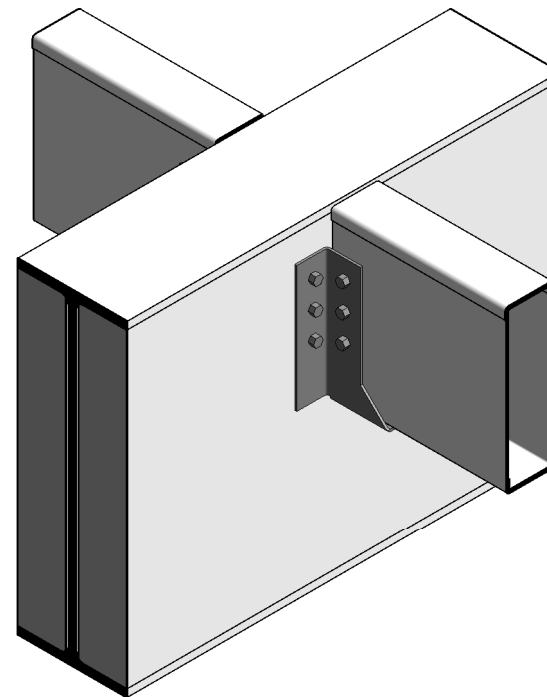


**150LC TO COLD FORMED BEAM CONNECTION**

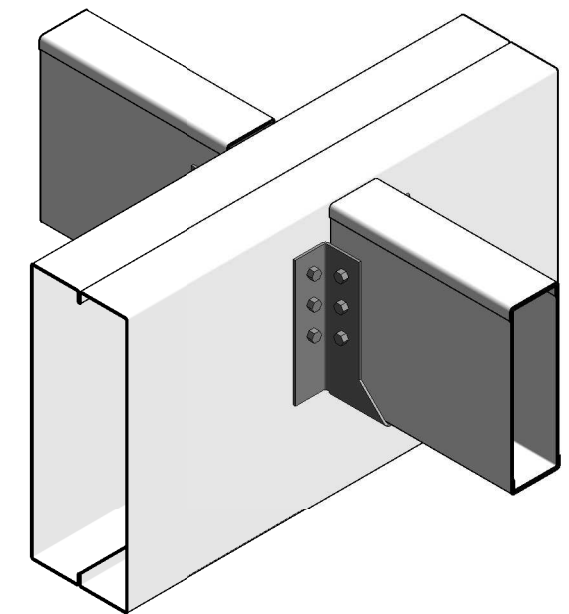
1 : 5



**150LC TO TIMBER 3D**



**150LC TO STEEL 3D**



**150LC TO COLD FORMED STEEL3D**



16b Ormiston Road, East Tamaki, Auckland.  
 Phone: 09 271 6834 | Fax: 09 271 6835  
 Email: sales@rollforming.co.nz  
 www.rollforming.co.nz

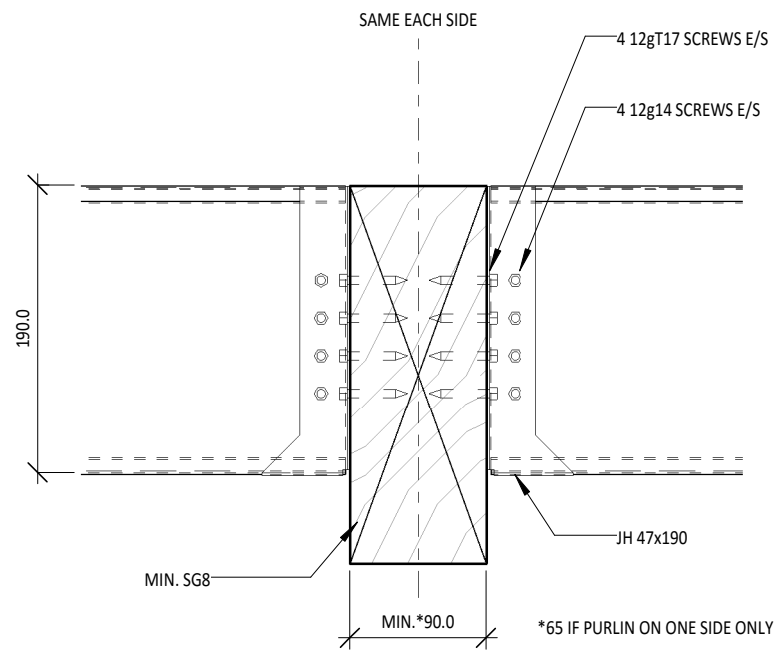
Client:

Project:

Drawing:

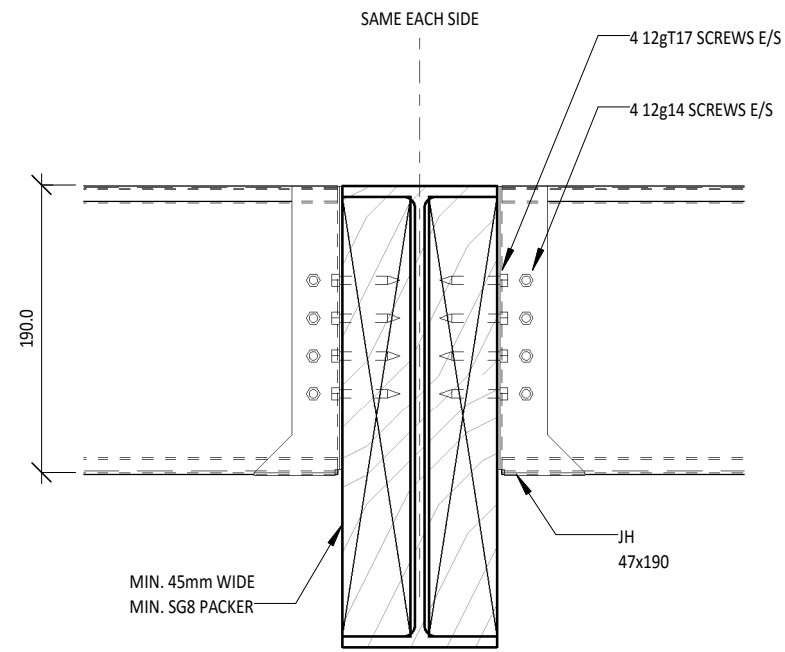
**150LC1.15 CONNECTION  
 DETAILS**

| Ref.   | Description | Date     |
|--------|-------------|----------|
| scale: | drawn:      | checked: |
| 1 : 5  | RH          | PM       |
|        | status:     | job no:  |
|        | -           | 15140    |
|        | drg no:     | rev:     |
|        | 2           |          |



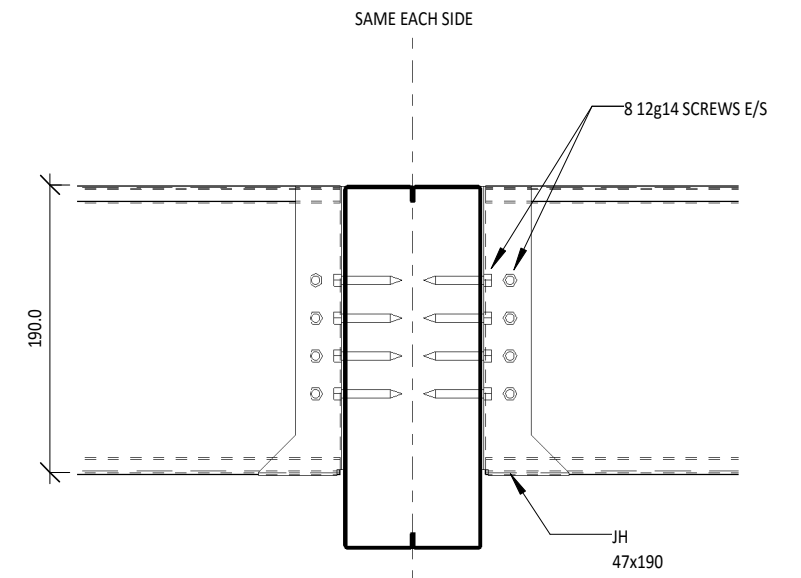
**190LC TO TIMBER BEAM CONNECTION**

1 : 5



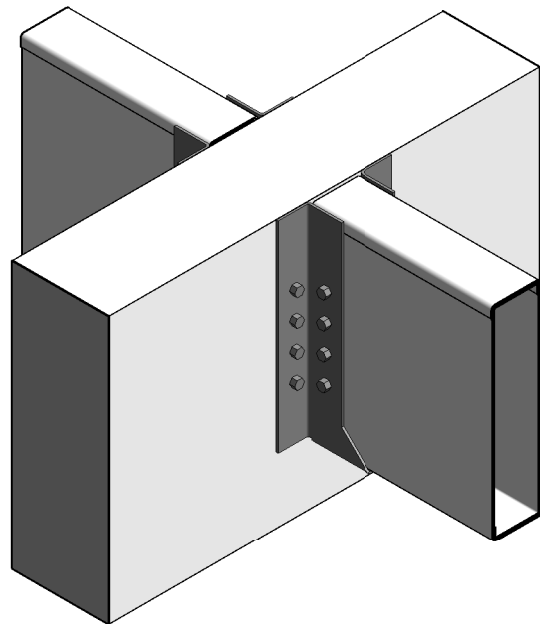
**190LC TO STEELBEAM CONNECTION**

1 : 5

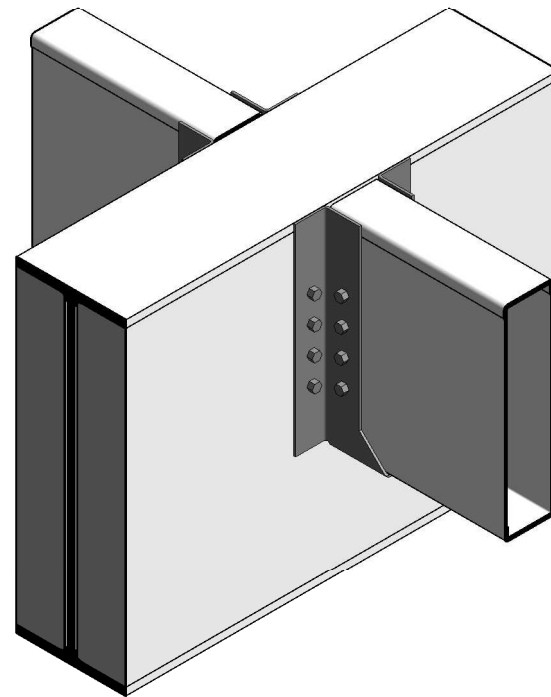


**190LC TO COLD FORMED BEAM CONNECTION**

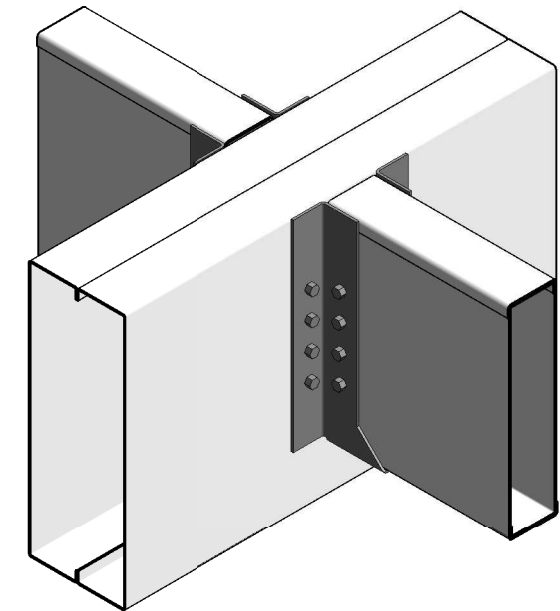
1 : 5



**190LC TO TIMBER 3D**



**190LC TO STEEL 3D**



**190LC TO COLD FORMED STEEL 3D**



16b Ormiston Road, East Tamaki, Auckland.  
 Phone: 09 271 6834 | Fax: 09 271 6835  
 Email: sales@rollforming.co.nz  
 www.rollforming.co.nz

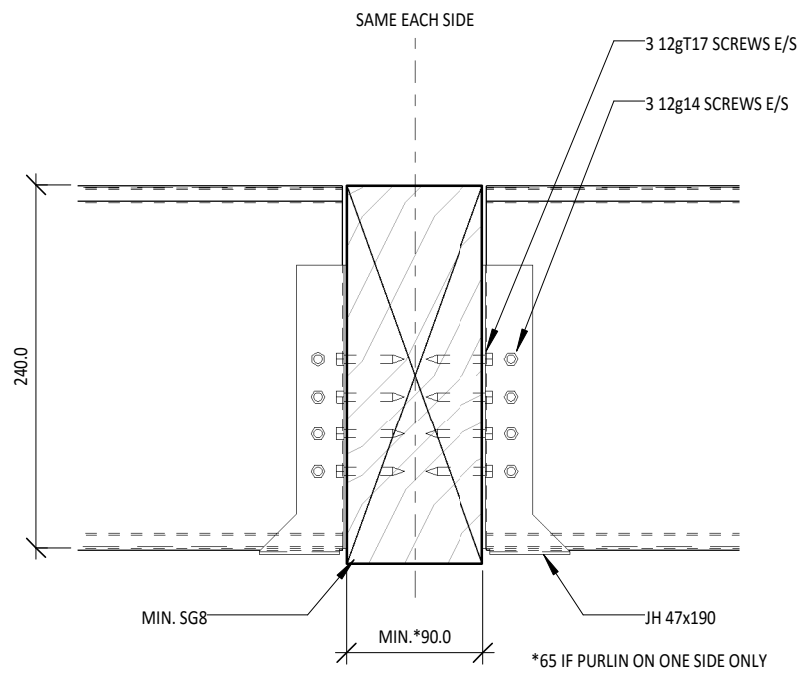
Client:

Project:

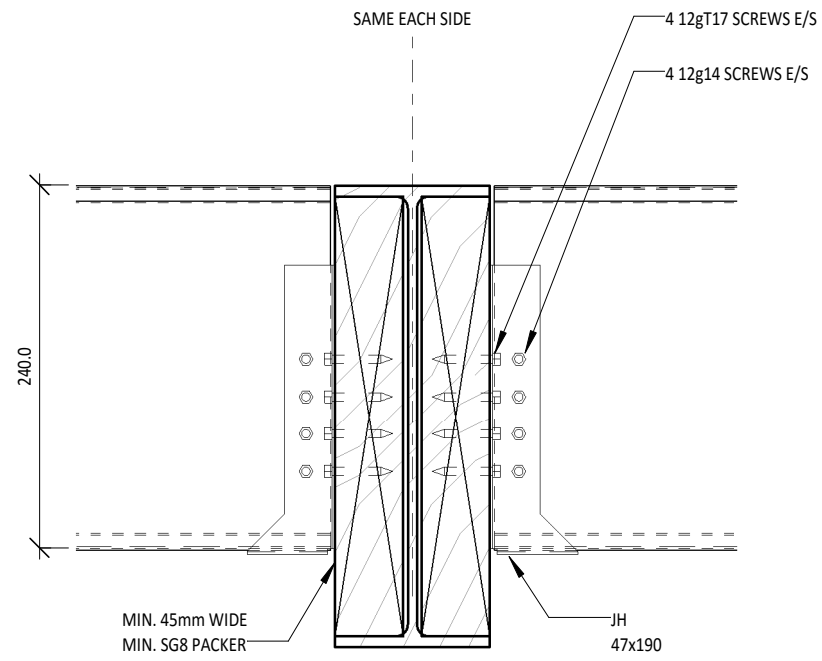
Drawing:

**190LC1.15 CONNECTION  
 DETAILS**

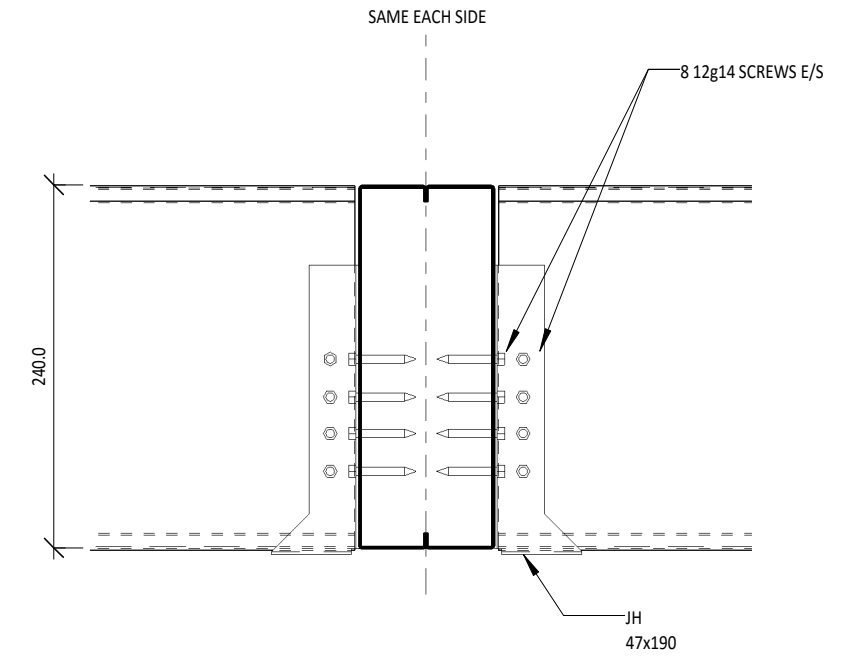
| Ref.   | Description | Date     |
|--------|-------------|----------|
| scale: | drawn:      | checked: |
| 1 : 5  | RH          | PM       |
|        | status:     | job no:  |
|        | -           | 15140    |
|        | drg no:     | rev:     |
|        | 3           |          |



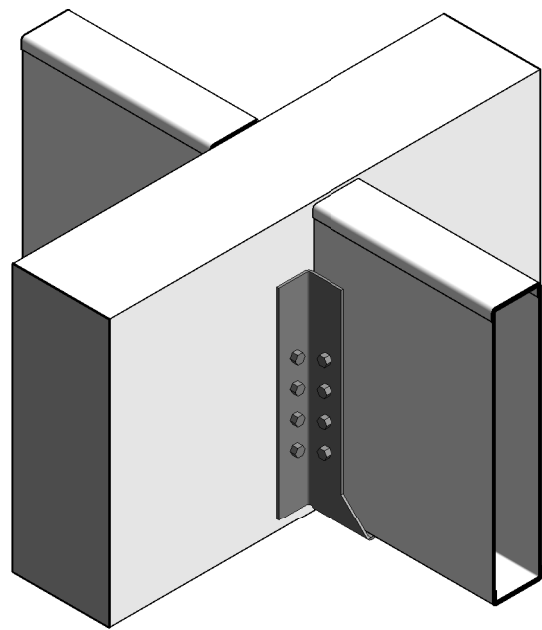
**240LC TO TIMBER BEAM CONNECTION**  
1 : 5



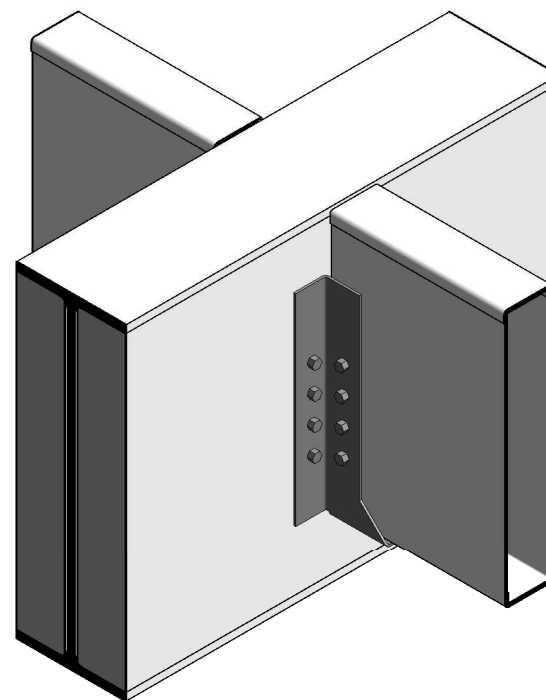
**240LC TO STEEL BEAM CONNECTION**  
1 : 5



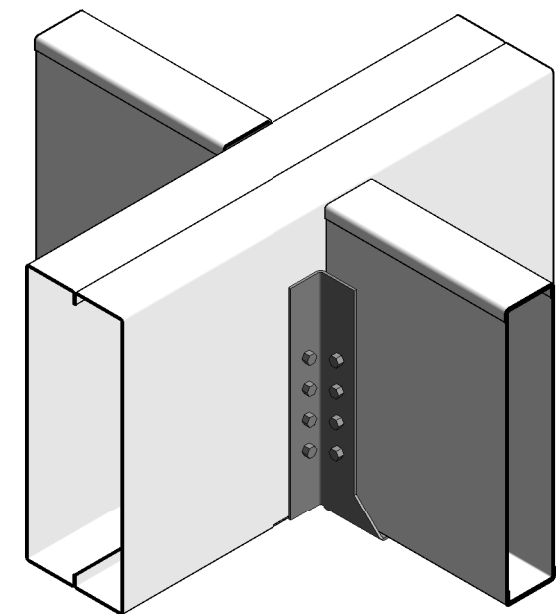
**240LC TO COLD FORMED BEAM CONNECTION**  
1 : 5



**240LC TO TIMBER 3D**



**240LC TO STEEL 3D**



**240LC TO COLD FORMED STEEL 3D**



16b Ormiston Road, East Tamaki, Auckland.  
Phone: 09 271 6834 | Fax: 09 271 6835  
Email: sales@rollforming.co.nz  
www.rollforming.co.nz

Client:

Project:

Drawing:

**240LC1.15 CONNECTION  
DETAILS**

| Ref.    | Description | Date     |
|---------|-------------|----------|
| scale:  | drawn:      | checked: |
| 1 : 5   | RH          | PM       |
| status: | job no:     | drg no:  |
| -       | 15140       | 4        |
| rev:    |             |          |