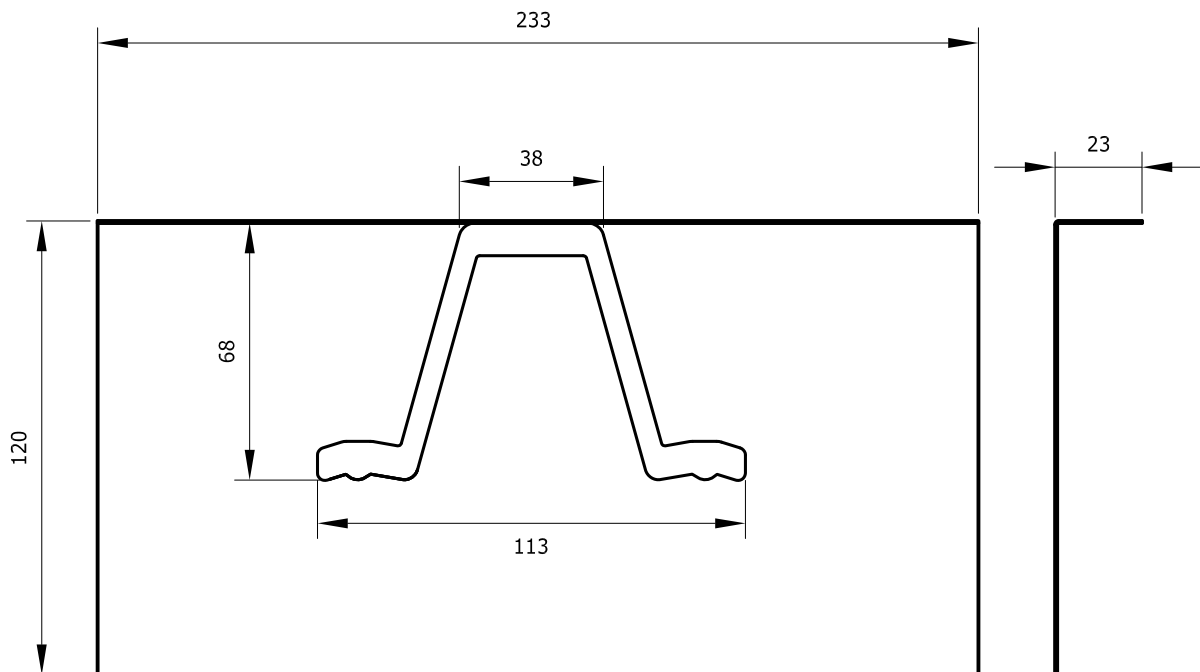


OPENING TO SUIT A SINGLE
OR LAPPED 60mm TOPHAT



| ISSUE | NOTES | DATE | | | |
|---|---|--------------------|---|-----------|--|
| TOLERANCES XX = ± 1.0 XX.X = ± 0.1 XX.XX = ± 0.03 | TITLE THF60 120x233x23x0.55ZnAl | | ROLLFORMING SERVICES LTD 18b Ormiston Road, East Tamaki Auckland, New Zealand. COPYRIGHT ROLLFORMING SERVICES LTD © | | |
| | MATERIAL 0.55 | STRIP WIDTH | | | |
| | FINISH ZnAl | | | | |
| STANDARD TOLERANCES UNLESS OTHERWISE STATED | DRAWN D.S. | 16Oct17 | ALL DIMENSIONS ARE IN mm. - UNLESS OTHERWISE STATED. DO NOT SCALE - IF IN DOUBT, ASK. SCALE N.T.S. | | |
| | CHECKED | | | | |
| | APPROVED | | | | |
| | | | DWG. No. THF60 | A4 | |