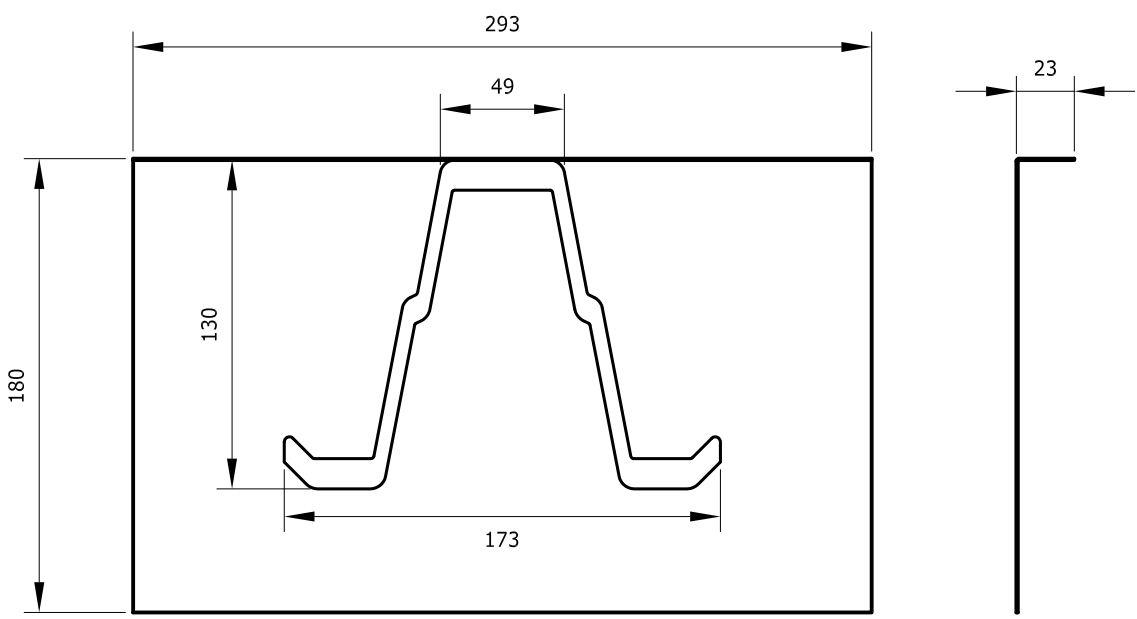


OPENING TO SUIT A SINGLE
OR LAPPED 120mm TOPHAT



ISSUE	NOTES	DATE
-------	-------	------

TOLERANCES XX = ± 1.0 XX.X = ± 0.1 XX.XX = ± 0.03	TITLE THF120 180x293x23x0.55ZnAl		ALL DIMENSIONS ARE IN mm. - UNLESS OTHERWISE STATED. DO NOT SCALE - IF IN DOUBT, ASK.
	MATERIAL 0.55	STRIP WIDTH	
	FINISH ZnAl		
STANDARD TOLERANCES UNLESS OTHERWISE STATED	DRAWN D.S.	16Oct17	SCALE N.T.S.
	CHECKED		
	APPROVED		



Rollforming SERVICES LIMITED

16b Ormiston Road, East Tamaki, Auckland.
 Phone: 09 271 6834 | Fax: 09 271 6835
 Email: sales@rollforming.co.nz
www.rollforming.co.nz
Copyright Rollforming Services LTD ©

DWG. No.	THF120
A4	